

MD500 AC Drive

High Performance General Purpose Open Loop & Closed Loop


Features & Functions

- Open loop V/f & SVC control
- Closed loop FVC control
- Starting torque
 - 150% at 0.25Hz for SVC
 - 180% at 0Hz for FVC
- Modbus-RTU & CANlink & PROFIBUS-DP & CANopen comms
- Automatic torque boost
- Slip compensation
- Simplified parameter for easy start up
- 4-independent S-ramps
- Flexible programmable I/O connection
- User programmable function
- Advanced background software
- Variable DC-injection braking
- Comprehensive trip diagnostics
- Output frequency 500Hz
- In-Built dynamic braking unit

NEW

Wide operating voltage
 Three Phases 380-480Vac
 18.5 ~ 450kW



Operation in high ambient temperature
 45°C_{avg}

NEW

External AC output reactor

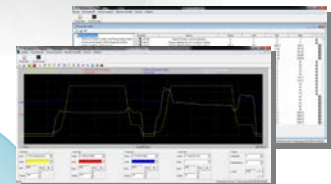
Enhanced reliability



NEW

Internal DC Reactor
 Complies with EN61800-3
 Category C2
 (With external filter)

*1PC-Based
 Software
 simplified
 start up &
 backup



*1 PC tool kit hardware (optional)

General Specifications

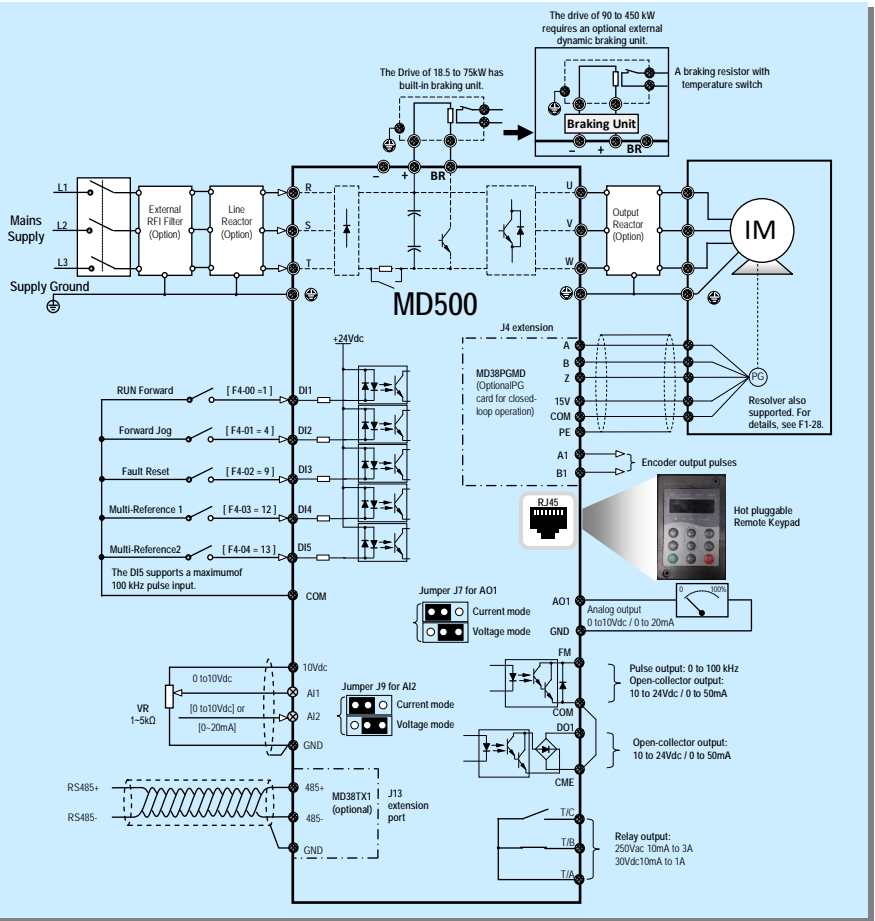
Voltage class		Three Phase 380- 480Vac										
Drive model		MD500T18.5GB	MD500T22GB	MD500T30GB	MD500T37GB	MD500T45GB	MD500T55GB	MD500T75GB	MD500T90G	MD500T110G	MD500T132G	MD500T160G
Frame size		T5		T6		T7		T8		T9		
Drive Input	Rated input voltage	Three Phase 380 to 480Vac, -15% to +10%										
	Rated input current, [A]	49.5	59	57	69	89	106	139	164	196	240	287
	Rated input frequency	50/60 Hz, ±5%										
Drive Output	Applicable motor [kW]	18.5	22	30	37	45	55	75	90	110	132	160
	Output current, [A]*	37	45	60	75	91	112	150	176	210	253	304
	Power capacity, [kVA]	45	54	52	63	81	97	127	150	179	220	263
	Default carrier frequency, [kHz]	6	6	6	5	5	4	3	3	3	3	3
	Overload capacity	150% for 60 Sec										
	Max. output voltage	Three Phase 380Vac to 480Vac (Proportional to input voltage)										
	Max. output frequency	500 Hz										
Braking Resistor	Recommended power, [kW]	4	4.5	6	7	9	11	15	18	22	26	32
	Recommended resistance, [Ω]	32	27	10	16	13	10.5	7.7	6.4	5.3	4.4	3.6
Enclosure		IP 20										

Voltage class		Three Phase 380- 480Vac								
Drive model		MD500T200G (-L)**	MD500T220G (-L)	MD500T250G (-L)	MD500T280G (-L)	MD500T315G (-L)	MD500T355G (-L)	MD500T400G (-L)	MD500T450G (-L)	
Frame size		T10		T11		T12				
Drive Input	Rated input voltage	Three Phase 380 to 480Vac, -15% to +10%								
	Rated input current, [A]	365	410	441	495	565	617	687	782	
	Rated input frequency	50/60 Hz, ±5%								
Drive Output	Applicable motor [kW]	200	220	250	280	315	355	400	450	
	Output current, [A]*	377	426	465	520	585	650	725	820	
	Power capacity, [kVA]	334	375	404	453	517	565	629	716	
	Default carrier frequency, [kHz]	3	3	3	3	3	3	3	3	
	Overload capacity	150% for 60 Sec							130% for 60 Sec	
	Max. output voltage	Three Phase 380Vac to 480Vac (Proportional to input voltage)								
Max. output frequency	500 Hz									
Braking Resistor	Recommended power, [kW]	38	42	48	54	60	69	78	87	
	Recommended resistance, [Ω]	2.9	2.7	2.3	2.1	1.9	1.7	1.5	1.3	
Enclosure		IP 00								

*Default carrier switching frequency at rated output current.

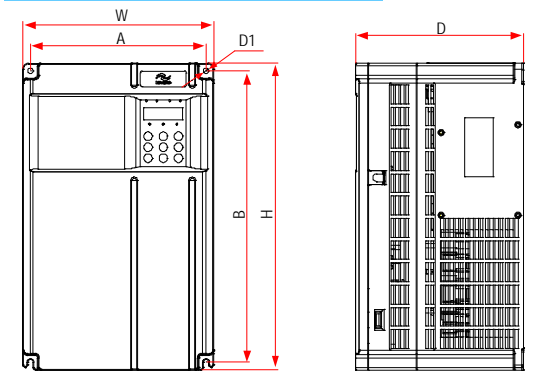
** Model name with '-L' means with the AC output reactor and support.

General Wiring Diagram

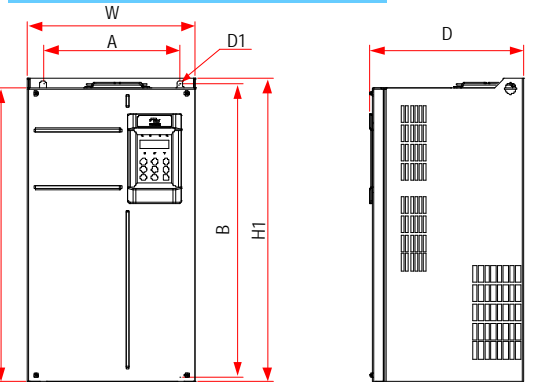


Dimensions

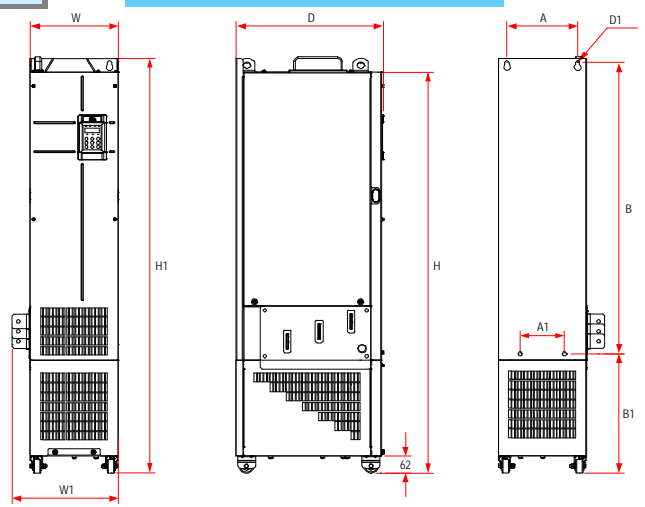
MD500T18.5GB to MD500T37GB



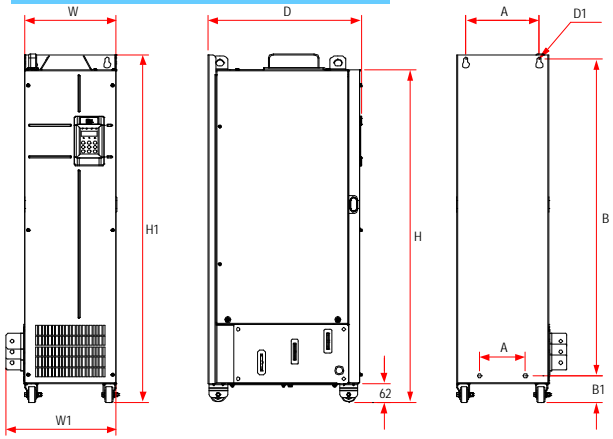
MD500T45GB to MD500T160G



MD500T200G-L to MD500T450G-L



MD500T200G to MD500T450G

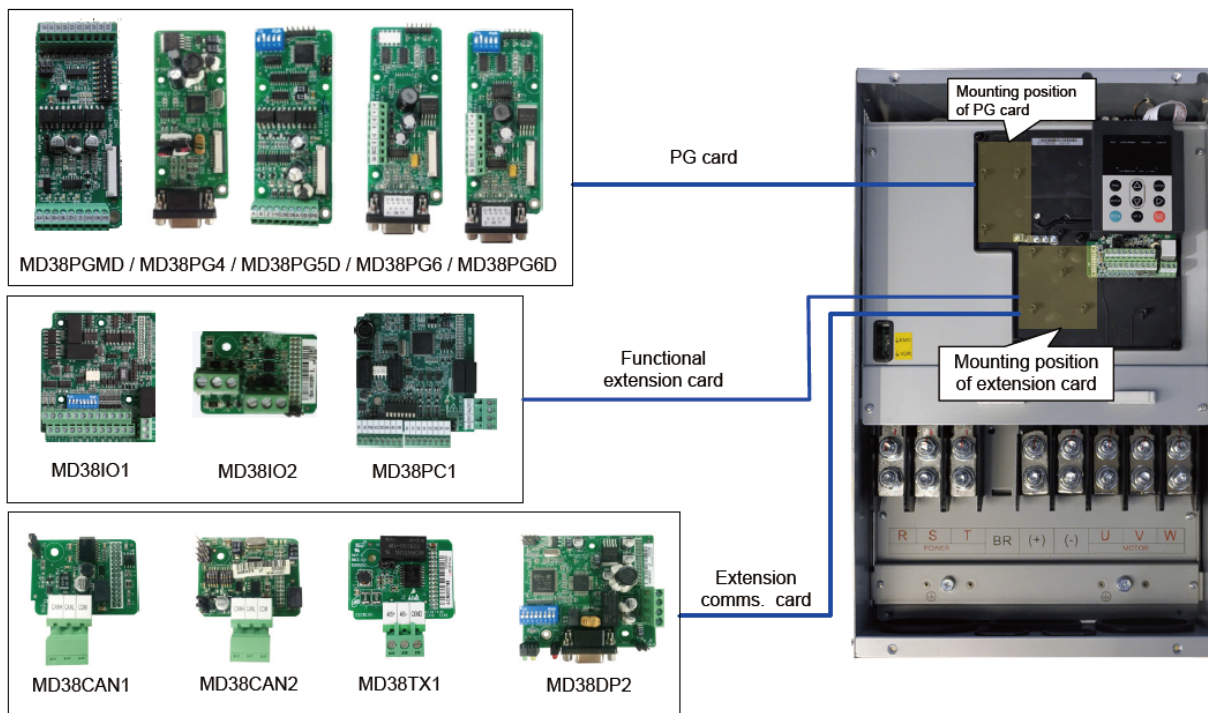


MD500 Model	Frame size	Dimensions (mm)										Weight (kg)
		A	A1	B	B1	H	H1	W	W1	D	D1	
MD500T18.5GB, MD500T22GB	T5	195	/	335	/	350	/	210	/	192	Ø6	9.1
MD500T30GB, MD500T37GB	T6	230	/	380	/	400	/	250	/	220	Ø7	17.5
MD500T45GB, MD500T55GB	T7	245	/	523	/	525	542	300	/	275	Ø10	35
MD500T75GB, MD500T90G, MD500T110G	T8	270	/	560	/	554	580	338	/	315	Ø10	51.5
MD500T132G, MD500T160G	T9	320	/	890	/	874	915	400	/	320	Ø10	85
MD500T200G, MD500T220G	T10	240	150	1035	86	1086	1134	300	360	500	Ø13	110
MD500T200G-L, MD500T220G-L		240	150	1035	424	1424	1472	300	360	500	Ø13	160
MD500T250G, MD500T280G	T11	225	185	1175	97	1248	1284	330	390	545	Ø13	155
MD500T250G-L, MD500T280G-L		225	185	1175	435	1586	1622	330	390	545	Ø13	215
MD500T315G, MD500T355G, MD500T400G, MD500T450G	T12	240	200	1280	101	1355	1405	340	400	545	Ø16	185
MD500T315G-L, MD500T355G-L, MD500T400G-L, MD500T450G-L		240	200	1280	432	1683	1733	340	400	545	Ø16	245

Accessories List

Model	Function description	Part no.
MDBUN& MDBU	External braking unit of 90kW and larger power range.	--
MD32NKE1	Remote LED keypad.	01013061
MD38IO1	I/O extension card 1, provides the following extension terminals: 5x DI, 1x AI, 1x relay output, 1x DO, 1x AO, Modbus-RTU and CANlink.	01013098
MD38IO2	I/O extension card 2, provides 3x extra DI terminals.	01013103
MD38PC1	User programmable extension card, completely compatible with the Inovance PLC.	01013104
MD38CAN1	CANlink communication card	01013100
MD38CAN2	CANopen communication card	01013102
MD38TX1	Modbus communication card	01013112
MD38DP2	Profibus-DP communication card	01013144
MD38PG4	Resolver interface card, for using with a resolver that has an excitation frequency of 10 kHz. The card has a DB9 interface.	01013081
MD38PG5D	Open-collector encoder interface card, Open-collector encoder interface card with optional multiplying frequency division output. (Requires a 15 VDC power supply.)	01013141
MD38PG6	Differential encoder interface card, Requires a 5 VDC power supply. The card has a DB9 interface.	01013116
MD38PG6D	Differential encoder interface card, With optional multiplying frequency division output. Requires a 5 VDC power supply. The card has a DB9 interface.	01013142
MD38PGMD	Multifunctional encoder card, Compatible of differential input, open-collector input, push-pull input Supports differential output and open-collector output	01013147

The extension cards and the mounting positions



For more information, please contact our local offices.



Hong Kong SAR
Inova Automation Co., Limited
 International Export Office
 Tel : (852) 2751 6080
 Fax : (852) 2751 6933
 info@inova-automation.com
www.inova-automation.com

Italy - Milan
Inova Automation Italy Srl
 Tel : (39) 02 2682 2318
 info@inova-automation.com

India:
Inova Automation Pvt, Ltd.
 Head Office Chennai
 Tel : (91) 44 4380 0201
 Ahmedabad Tel : (91) 79 4003 4274
 Mumbai Tel : (91) 90 0496 0595
 New Dehli Tel: (91) 99 9092 8961
 info.inovaindia@inova-automation.com

Turkey - Istanbul
Inova Automation Türkiye
 Tel : (90) 216 706 1789
 info.turkey@inova-automation.com