

MD310 AC Drive

Open Loop General Purpose & Economic

Features & Functions

- Open loop V/F & SVC control
- Starting torque
 - 150% at 0.5Hz (SVC)
 - 100% at 1.0Hz (V/F)
- Modbus or CANlink*1 comms
- Automatic torque boost
- Slip compensation
- Simplified parameter for easy set up
- 4-Independent S-Ramps
- Flexible programmable I/O connection
- Variable DC-injection braking
- Comprehensive trip diagnostics
- Output frequency 500Hz
- In-Built Dynamic braking unit

Wide operating voltage
 Three Phase 380Vac
 323 to 480Vac
 0.4kW to 18.5kW



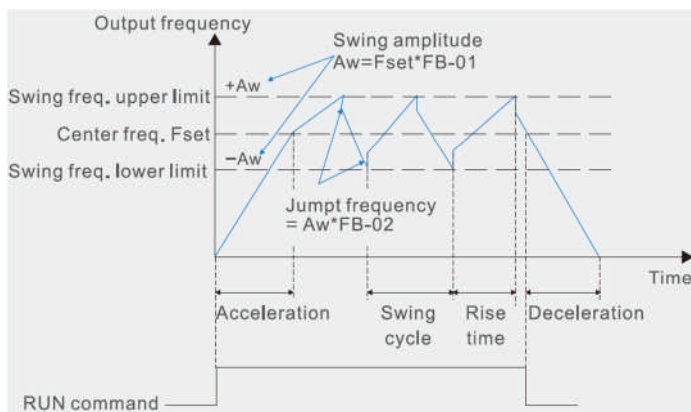
Onboard Modbus RTU
 Optional CANlink*1

Operation in high ambient temperature
 45°Cavg



Notes
 *1 CANlink is Inovance proprietary serial comms.

Swing Frequency



Switchover among multiple motors



Control multiple motors simultaneously in V/F mode.

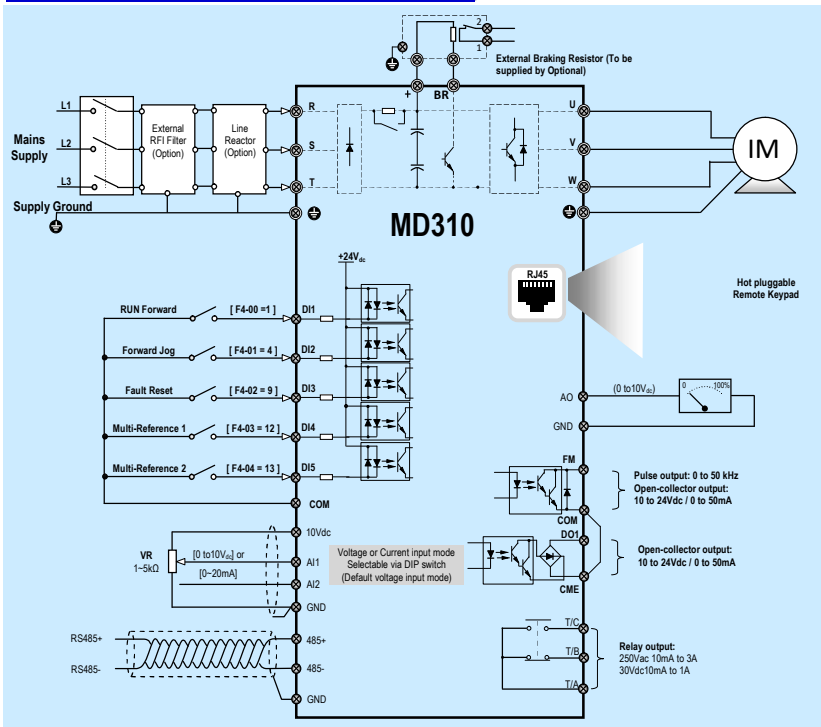
Control up to 2 motors in different time divisions in SVC mode (Multiple motor parameter groups)

General Specifications

Voltage class		Three Phase 380Vac									
Drive model: MD310TxxxB-INT		0.4	0.75	1.5	2.2	3.7	5.5	7.5	11	15	18.5
Dimension	Frame	Size 1				Size 2			Size 3		Size 4
	Height	[H]: 128 mm				[H1]: 209 mm			[H1]: 260 mm		[H1]: 298 mm
	Width	[W]: 108 mm				[W]: 130 mm			[W]: 140 mm		[W]: 180 mm
	Depth	[D]: 158 mm				[D]: 164 mm			[D]: 171 mm		[D]: 176 mm
Drive input	Rated input voltage	Three Phase 380 to 480V, -15% to +10% (323Vac to 528Vac)									
	Rated input current, [A]	1.9	3.4	5	5.8	10.5	14.6	20.5	26	35	38.5
	Power capacity, [kVA]	1	1.5	3	4	5.9	8.9	11	17	21	24
	Rated input frequency	50/60 Hz, ±5% (47.5 to 63Hz)									
Drive Output	Applicable motor [kW]	0.4	0.75	1.5	2.2	3.7	5.5	7.5	11	15	18.5
	Output current, [A]*	1.5	2.1	3.8	5.1	9	13	17	25	32	37
	Overload capacity	150% for 60 Sec & 180% for 2 Sec									
	Max. output voltage	380Vac to 440Vac (Proportional to input voltage)									
	Max. output frequency	500 Hz									
Braking Resistor	Recommended power, [W]	150W	150W	150W	250W	300W	400W	500W	800W	1000W	1300W
	Recommended resistance, [Ω]	≥300Ω	≥300Ω	≥220Ω	≥200Ω	≥130Ω	≥90Ω	≥65Ω	≥43Ω	≥32Ω	≥25Ω
Enclosure		IP 20									

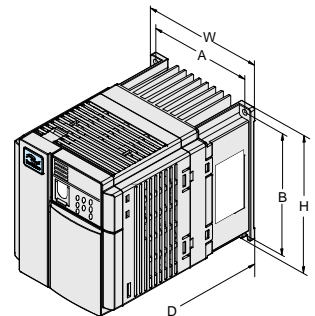
* Carrier switching frequency 6 kHz at rated output current.

General Connection Diagram

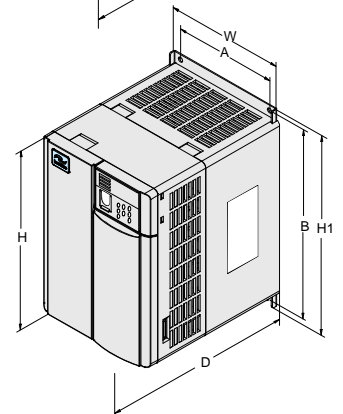


Dimensions

Dimensions of 0.4kW to 2.2kW



Dimensions of 3.7kW to 18.5kW



For more information, please contact our local offices.



Hong Kong SAR
Inova Automation Co., Limited
International Export Office
Tel : (852) 2751 6080
Fax : (852) 2751 6933
info@inova-automation.com
www.inova-automation.com

Italy - Milan
Inova Automation Italy Srl
Tel : (39) 02 2682 2318
info@inova-automation.com

Iran
Inova Automation Pvt. Ltd.
Tel : (98) 2166344055
info.iran@inova-automation.com

Turkey - Istanbul
Inova Automation Türkiye
Tel : (90) 216 706 1789
info.turkey@inova-automation.com